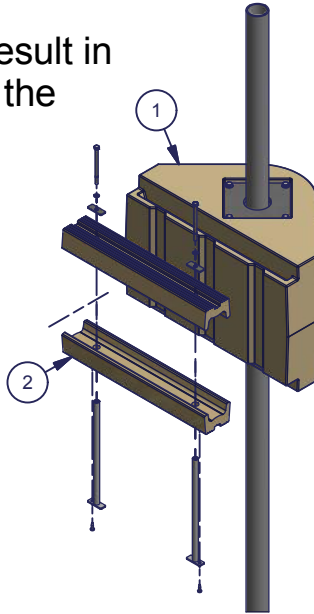


## PolyDock Pipe Bracket Instructions

Failure to follow instructions may result in personal injury and may invalidate the applicable warranty.

### 1022952 - Pile Guide with Connector

Parts List			
ITEM	QTY	PART NUMBER	DESCRIPTION
1	1	1023356	Poly Dock Pipe Bracket Tan
2	1	1006631	Poly Pipe Bracket / ShorePort Side Connector

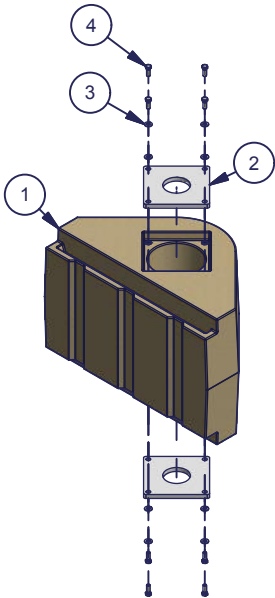


**NOTICE** Check pile guide for a 1/8" hole 7/16" from the top centered on the side that mates to the dock section. Be sure the guide is oriented so the hole is above the water if applicable.

**Step 1.** Loosen 5/16 x 4-1/2 hex bolts on poly guide connector and place pipe bracket next to poly dock with pile guide connector in between.

**Step 2.** Slide Pile Guide with connector into desired position on poly dock.

**Step 3.** Tighten 5/16 x 4-1/2 hex bolts to secure in place.



### 1023356 - PolyDock Pile Guide

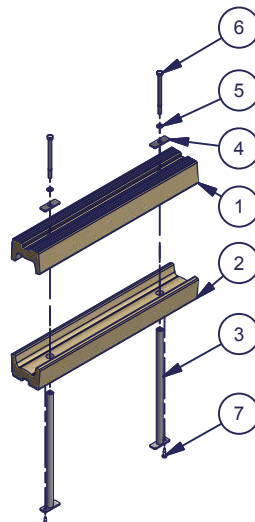
Parts List			
ITEM	QTY	PART NUMBER	DESCRIPTION
1	1	1023356	PILE GUIDE
2	2	1001986	PILE GUIDE WEAR PLATE (2-7/8" HOLE)
3	8	1002599	Washer Flat 3/8" Stainless Steel
4	8	1002419	BOLT 3/8 - 16 X 1 SS

**Step 1.** Insert wear plates in to top and bottom of pile guide as shown.

**Step 2.** Secure wear plates in pile guide by inserting 3/8 x 1.0 hex bolts through 3/8 washers and threading them through the wear plates and into the pile guide in four places on each side as shown.

### 1006631 - PolyDock Pile Guide Connector

Parts List			
ITEM	QTY	PART NUMBER	DESCRIPTION
1	1	1003469	2' Top Connector
2	1	1003470	2' Bottom Connector
-	2	1004512	Poly Connector Rod with Hardware
3	1	1007918	Poly Connector Rod Composite
4	1	1001026	Washer Rectangular SS 1/8 x 2 x 3/4
5	1	1002606	Washer Lock 5/16 SS
6	1	1001025	Bolt Hex 5/16-18 x 4.5 Full Thread SS 304
7	1	1002566	Screw Oval #12 x 1.0 SS



**Step 1.** Insert connector rods through bottom of 2' bottom connector and secure by using #12 x 1.0 oval screws as shown.

**Step 2.** Place the top connector over the connector rods with the threads sticking up through the top connector as shown.

**Step 3.** Place a 5/16 lock washer, followed by a rectangular washer over each 5/16 x 4-1/2 hex bolt. Then thread the bolts through the top connector and into the connecting rods.