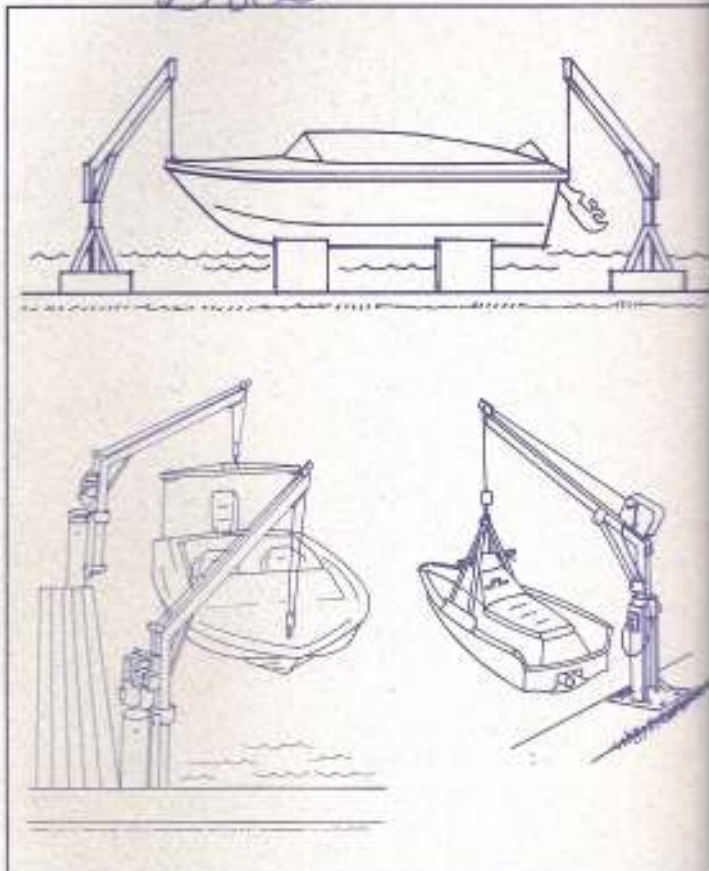


13800



BOAT DAVIT SYSTEMS

O W N E R S M A N U A L

**Davit
Master**
Power to Lift - Quality to Last

Telephone: (813) 573-4414 • Toll Free 1-800-878-5560
5560 Ulmerton Road, Clearwater, Florida 34620
FAX: 813-572-0590

© 1991 Davit Master Corporation All Rights Reserved.

This is an Owners Manual, designed to provide vital information on operation and maintenance as well as warranty restrictions. For more information please contact Davit Master direct by calling toll-free 1-800-878-5560.

CONTENTS	PAGE
DAVIT MODELS & SPECIFICATIONS	1
CAUTIONS & MAINTENANCE	2
BOAT RAMP WINCH MAINTENANCE	2
DAVIT OPERATION	3
POWER PIVOT OPERATION	3
DAVIT RIGGING (2-PART LINE)	4
DAVIT RIGGING (3-PART LINE)	5
WATERCRAFT LIFT SYSTEM	6
LIFTING APPLICATIONS	7
INBOARDING YOUR DAVITS	8
WARRANTY INFORMATION	9

YOUR I.D. NUMBERS

Record your Model Number and Serial Number (located on the davit arm) in this booklet.

Please retain this booklet and refer to your model and serial numbers when inquiring about your Davit System.

MODEL NUMBER	<input type="text"/>
SERIAL NUMBER	<input type="text"/>
DATE OF PURCHASE	<input type="text"/>

IMPORTANT: READ THIS MANUAL CAREFULLY BEFORE OPERATING YOUR DAVIT SYSTEM

NOTE: DAVITS ARE NOT INTENDED FOR HUMAN LIFT

ON YOUR PURCHASE

Congratulations on your DAVIT MASTER Davit purchase. We appreciate your business and we want you to know you've bought the finest Davit System available.

MODELS IN THIS MANUAL

BOX BEAM STYLE:	B-800 B-1000 B-1850 B-3000 B-4000 B-5500 B-6500 B-8000
PIPE STYLE:	P-600
BOAT RAMP WINCH:	BR-65

CAPACITIES & SPECIFICATIONS

MODEL	CAPACITY PER PAIR (POUNDS)	RECOMMENDED LOAD/PAIR (POUNDS)	REACH	HEIGHT
†°P-600	1200	To 900	3'9"	6'3"
†°B-800	800(Single)	—	5'4"	6'0"
†°B-1000	2000	900-1400	4'11"	7'3"
†B-1850	3700	1400-2500	5'5"	8'0"
†B-3000	6000	2500-3500	6'0"	8'3"
†B-4000	8000	3500-5000	6'6"	8'6"
B-5500	11,000	5000-7500	5'0"	8'9"
B-6500	13,000	7500-9500	7'3"	9'3"
*B-8000	16,000	7500-11000	7'3"	9'3"

*Model not recommended for pivoting boats as heavy as 11,000 lbs.

*Model can be dock mounted.

†Model can be pile mounted.

(All models can be seawall mounted.)

A WARNING TO YOU

INJURY OR DEATH COULD RESULT IF YOU IGNORE ANY OF THE FOLLOWING:

- For use by adults only.
- Never!!! Leave Davits running while unattended, whether lowering or raising your boat.
- Keep hands away from all moving parts.
- Davits are not intended for human lift. Remove people and cargo before raising your boat.
- Never ride in your boat while it is being lifted.
- Never load your Davit System beyond it's capacity.
- Turn power supply off to your Davit System when not in use.

WORDS OF CAUTION

1. It is extremely important to remember to always shut your system off once boat has been lifted. Damage and/or injury could result if davit is left running.
2. Use caution when rotating load.
3. Stay out from under suspended load.
4. Davits are heavy equipment and should be treated as such.
5. Davit Master is not responsible for condition of pilings.

MAINTENANCE: DAVITS & WINCHES

1. Lubricate cable with some kind of lubricating spray grease at least twice a year. Apply grease as cable layers onto the drum.
2. For ease of operation, as well as safety, we recommend you replace your cables every year OR AS SOON AS CABLE APPEARS WORN OR FRAYED.
3. Grease all pulleys, roller bolts and base pivot.
4. For all electric winches and the Boat Ramp Winch use #8 gear compound in gear box, if needed. Do not overfill.
5. Grease all exposed winch gears and shafts.

DAVIT OPERATING INSTRUCTIONS

I. TO RAISE YOUR BOAT:

1. Secure bow hooks and stern hooks to lifting eyes on boat.
2. Turn on bow winch until there is tension on the cables then turn the winch off.
3. Turn on stern winch, until there is tension on stern cables and the boat is coming up, then restart the bow winch.
4. Raise the boat until it is out of the water and above all wave action, at this time turn off the bow winch and leave the stern winch running until the stern is at the elevation that you are going to leave it.
5. Restart the bow winch and let it run until it reaches the elevation that you want, then turn off the winch. (Bow should be left higher than the stern for water drain off.)
6. Remove stern drain plug while boat is on davits.
7. NEVER LEAVE DAVIT MOTORS RUNNING WHILE UNATTENDED.
8. Unplug or turn power off to davits.

NOTE: DavitMaster highly recommends that the wiring to the motors be a dedicated circuit from panel box to motors. (One that conforms to local building codes). A circuit running through the house (i.e. extension cord) will get line drop which creates tremendous strain on the motors, causing them to burn out.

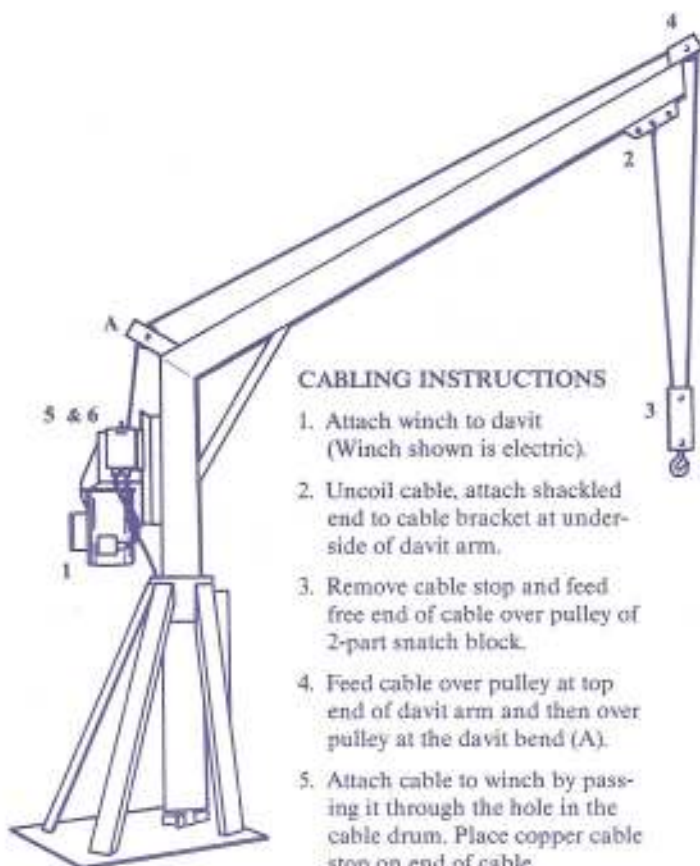
II. INBOARDING YOUR BOAT:

A. Power Pivot

1. Unlock both davits and actuate Power Pivot to start stern davit's swing.
2. As stern davit moves in, bow davit will follow, moving toward the centerline of boat.
3. When bow davit reaches centerline of boat, stop motor. Give bow davit a hand assist past centerline.
4. Start motor in reverse position to complete inboarding operation. When boat is completely inboarded, stop motor and lock both davits.

B. Manual

(See page 8 of this manual for instructions.)



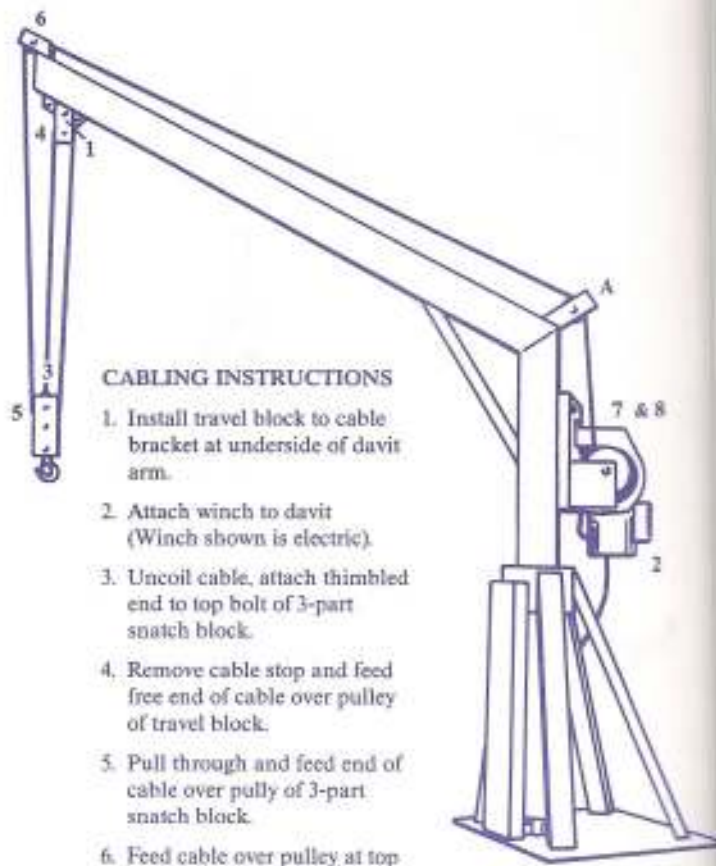
CABLING INSTRUCTIONS

1. Attach winch to davit (Winch shown is electric).
2. Uncoil cable, attach shackled end to cable bracket at underside of davit arm.
3. Remove cable stop and feed free end of cable over pulley of 2-part snatch block.
4. Feed cable over pulley at top end of davit arm and then over pulley at the davit bend (A).
5. Attach cable to winch by passing it through the hole in the cable drum. Place copper cable stop on end of cable, lay cable and stop on a hard surface and mash with a hammer.
6. Pull slack back through hole in drum and start spooling cable on winch.

MOUNTING RECOMMENDATIONS

1. Bases shown are used for seawall mounted installations.
2. Mounting to a dock is not recommended for boats over 1,000 lbs.
3. A different base is used when mounting to pilings. Mounting to pilings is not recommended for your boats over 4,000 lbs.

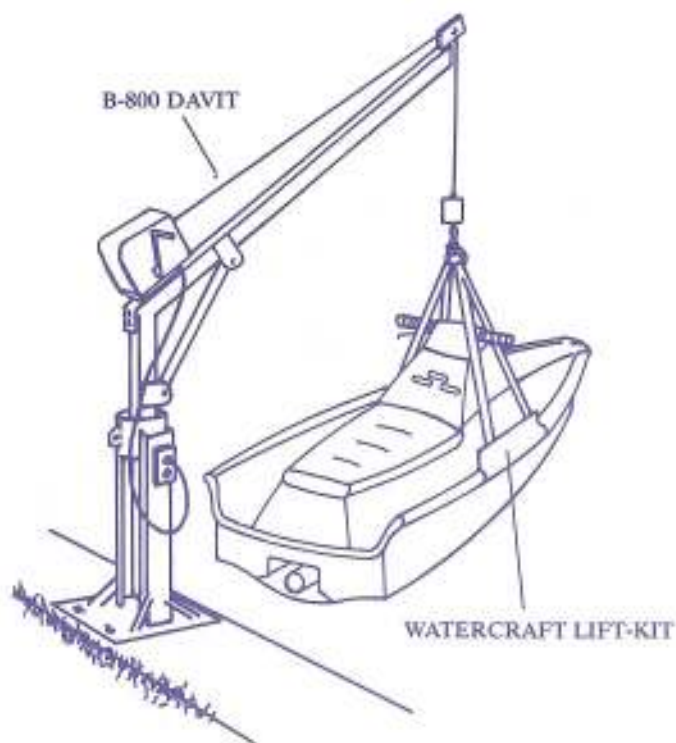
NOTE: Davit Master is not responsible for condition of pilings.



CABLING INSTRUCTIONS

1. Install travel block to cable bracket at underside of davit arm.
2. Attach winch to davit (Winch shown is electric).
3. Uncoil cable, attach thimble end to top bolt of 3-part snatch block.
4. Remove cable stop and feed free end of cable over pulley of travel block.
5. Pull through and feed end of cable over pulley of 3-part snatch block.
6. Feed cable over pulley at top end of davit arm and then over pulley at the davit bend (A).
7. Attach cable to winch by passing it through the hole in the cable drum. Place copper cable stop on end of cable, lay cable and stop on a hard surface and mash with a hammer.
8. Pull slack back through hole in drum and start spooling cable on winch.

NOTE: Winch covers are available for electric winches.



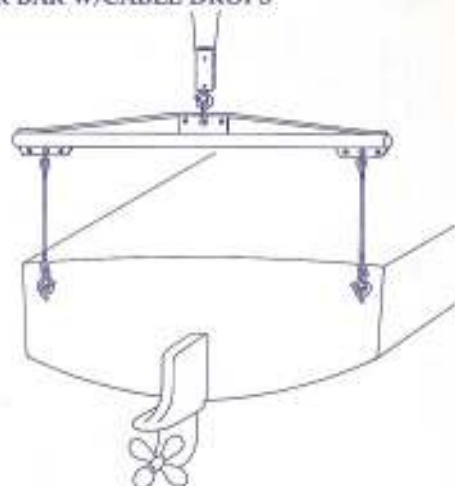
NOTES

The B-800 (800 lb. capacity) Davit and the Watercraft Lift-Kit comprise the WATERCRAFT LIFT SYSTEM.

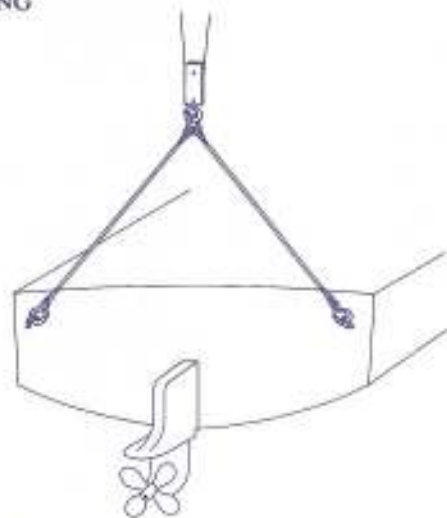
1. This system can be mounted to a dock, seawall or piling.
2. Illustration represents a dock or seawall installation.
3. We have a different base for pile mount installations.

NOTE: Davit Master is not responsible for condition of pilings.

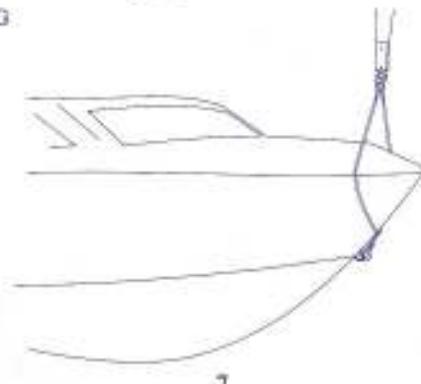
SPREADER BAR W/CABLE DROPS



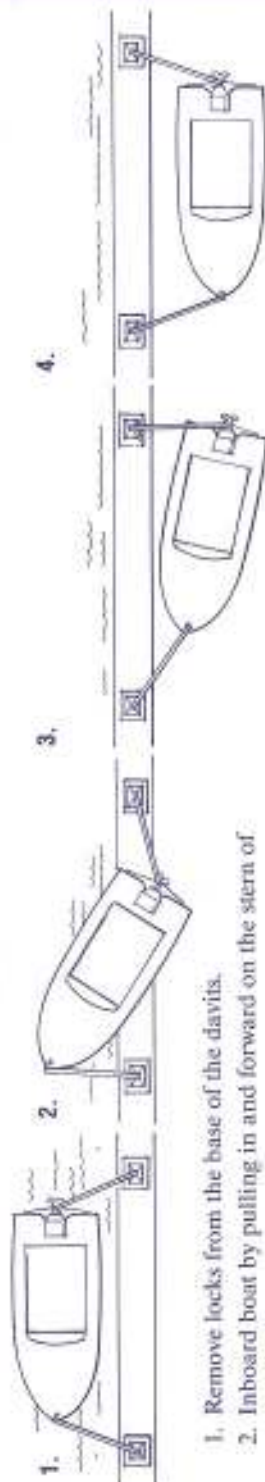
STERN SLING



BOW SLING



INBOARDING SEAWALL MOUNTED DAVITS



1. Remove locks from the base of the davits.
 2. Inboard boat by pulling in and forward on the stern of your boat.
 3. Continue pulling in on the stern until the stern and the bow are over the seawall.
 4. Center the boat between davits.
- NOTE: Inboarding can only be done when davits are installed in concrete, behind the seawall.**

POWER PIVOT SYSTEM

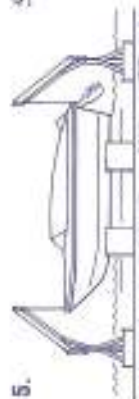
I. The Power Pivot Winch is an automated inboarding winch. This winch is installed on the stern davit and is operated with a remote switch.

1. Available for davit models B-3000 thru B-8000.
2. Can be installed on existing davits.

II. MAINTENANCE

1. Follow maintenance instructions for standard winches.
2. Grease all exposed gears and chain monthly.
3. Add grease monthly to grease fitting (located on underside of large gear between machine gear and chain sprocket).

5. Lower boat onto chocks and return locks to davit bases and tighten the locks.
- NOTE: Chocks can be made from wood, styrofoam, aluminum, etc. to fit your boat's hull configuration. Davit Master does not provide boat chocks.**



DAVIT MASTER

Seller (Davit Master Corporation) warrants to the original retail buyer only of each of its manufactured products that such products are free from defective materials and workmanship for a period of one (1) year from date of purchase by Buyer when purchased from Seller or an authorized dealer of Davit Master Corporation.

This Limited Warranty shall not be effective, and shall be void, if the products are not installed or used under normal conditions as recommended by Seller; when subjected to abuse, neglect, or carelessness; when altered or repaired by anyone not authorized by Seller during the term of this Limited Warranty; or if the product has been subjected to lift dead weight in excess of factory stated rating capacities. This Limited Warranty does not cover and Seller in no way warrants, any cables, hooks, shackles, remote controls, or other parts or components manufactured by someone other than Seller.

Buyer shall establish its claim by returning the defective product(s) to Seller at its Customer Service Department at 5560 Ulmerton Road, Clearwater, Florida 34620, transportation prepaid, within the period of this Limited Warranty. The return of a product must include proof of purchase, the make, model of the product, the date on which the product was installed, the name of the party installing the product, and a statement in clear and concise terms setting forth the basis of the warranty claim.

This Limited Warranty shall not include the cost of labor for the repair, replacement, removal, or reinstallation of any product covered herein. Such costs shall be the sole responsibility of Buyer.

At its option, Seller may repair or replace the defective product. Repaired or replace products are warranted for the remaining portion of this original Limited Warranty period at the time the product was purchased by Buyer.

This Limited Warranty shall not be valid except when delivered by an authorized representative of Seller and Buyer shall not be entitled to rely on any other warranty or representation, whether same be oral or written, except as provided in this Limited Warranty.

THIS LIMITED WARRANTY IS IN LIEU OF ALL OTHER EXPRESS WARRANTIES. ANY WARRANTY IMPLIED BY LAW, INCLUDING WARRANTIES OF MERCHANTABILITY OR FITNESS FOR A PARTICULAR PURPOSE, IS IN EFFECT ONLY DURING THE DURATION OF THE EXPRESS WARRANTY SET FORTH HEREIN. SELLER SHALL NOT BE LIABLE FOR ANY INCIDENTAL OR CONSEQUENTIAL DAMAGES RESULTING FROM THE USE OR INSTALLATION OF ITS PRODUCTS.

This Warranty gives you specific legal rights, and you may also have other rights which may vary from state to state. This Warranty shall be construed pursuant to the laws of the State of Florida and the Magnuson Moss Warranty Act.