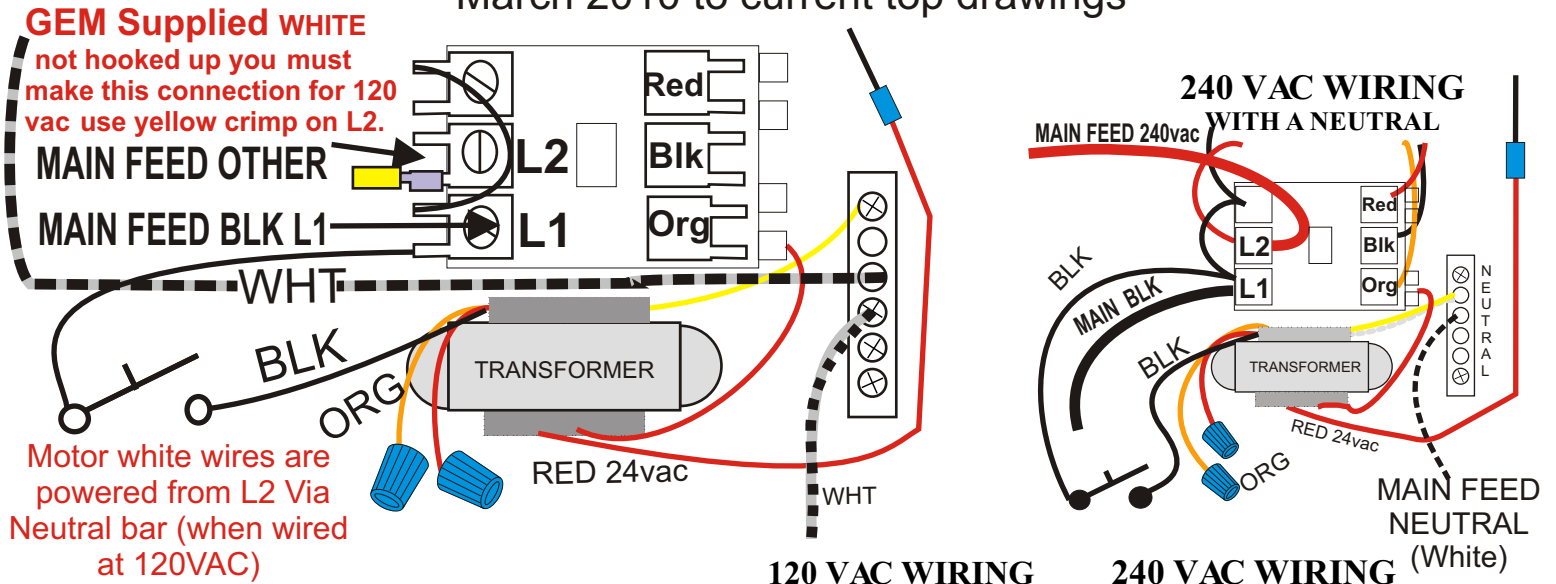
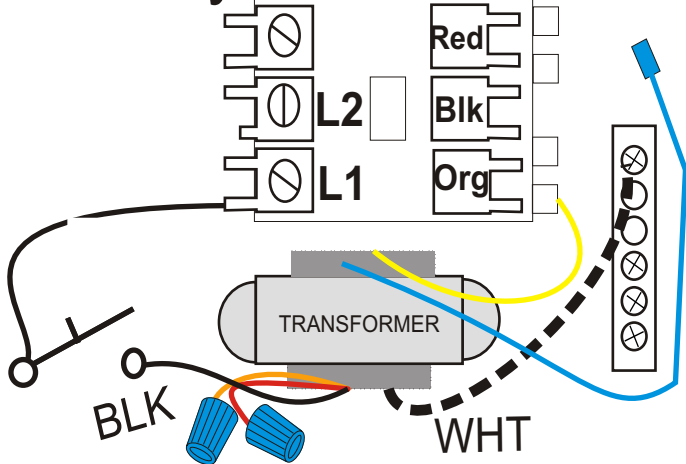


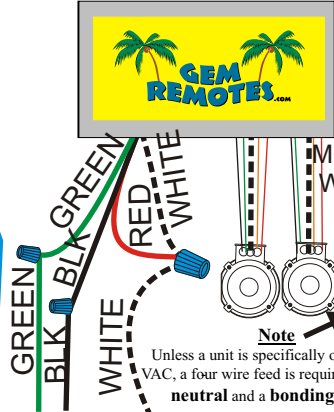
March 2010 to current top drawings



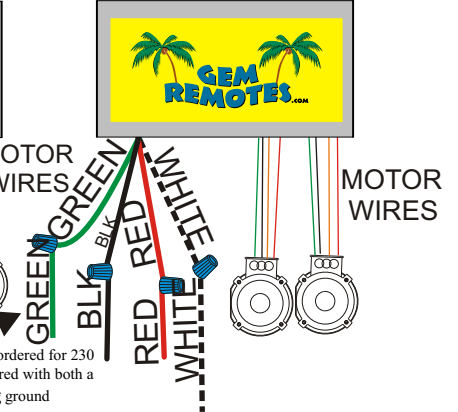
### Tyco substitution



### 120 VAC WIRING

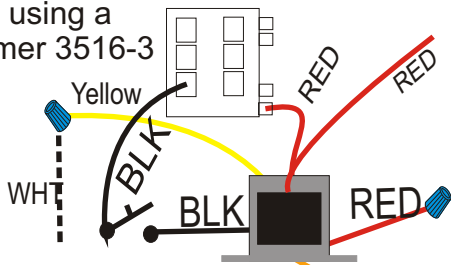


### 240 VAC WIRING

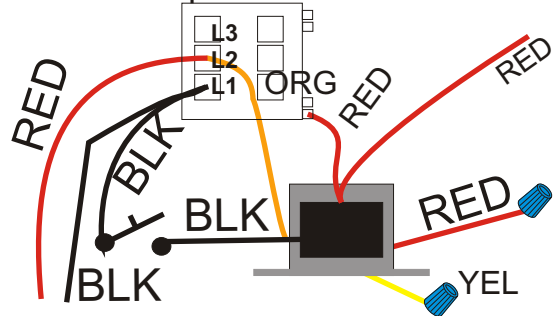


1985- Mar 2010

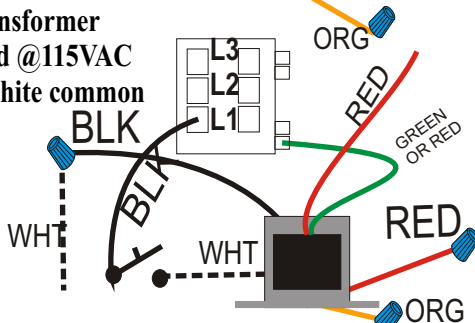
115 and 230 VAC wiring with a neutral using a New transformer 3516-3



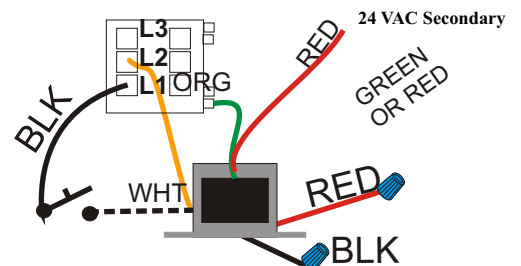
240 Volts only hook up using only three wires(2+G) Not using Neutral (White). You must rewire the multi tap transformer C-3516-3 24 VAC Secondary



24 VAC Old transformer hooks up and wired @115VAC C-3516 or C-3244 white common



24 VAC Old transformer hook up wired @230 VAC and no neutral C-3516 or C-3244 white common



Our unit needs a min. 20VA 28vac out put.  
Radio Shack has a 120 to 24 vac #2731512  
Ace Hardware door chime transformer 36485 120 to 24vac - 20va