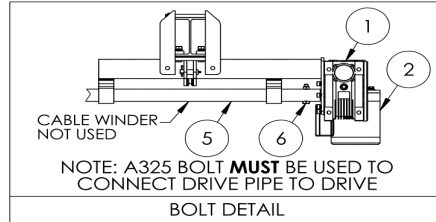
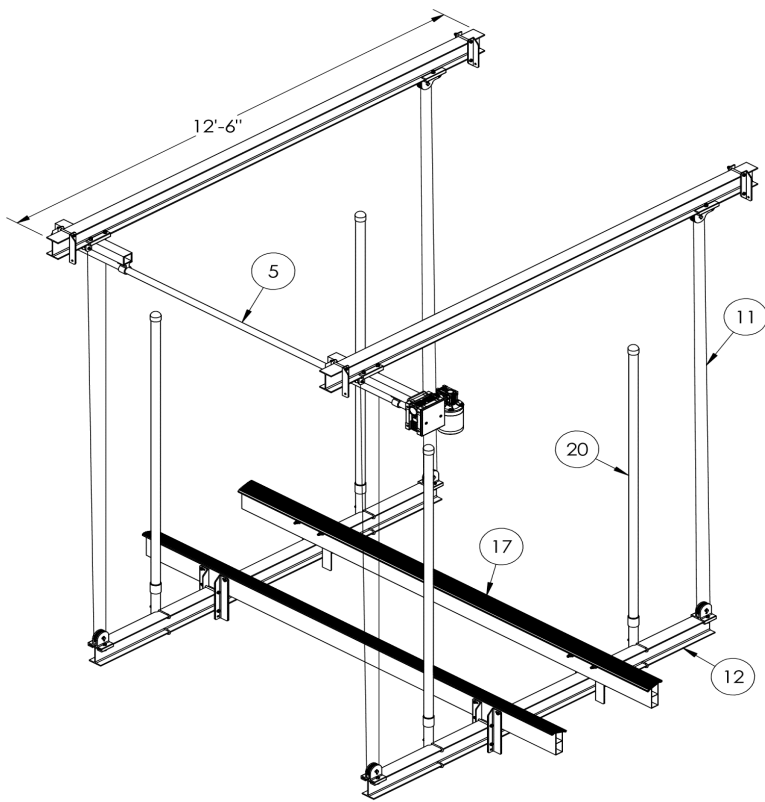
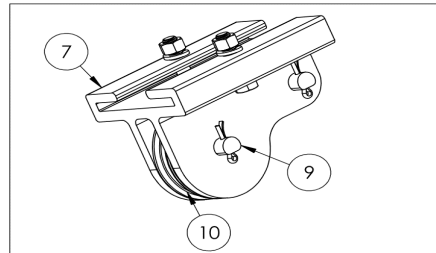


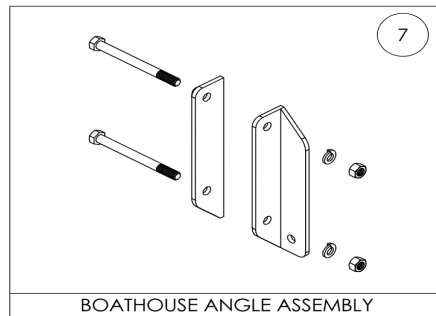
# 7,000 Single Motor Boat House Lift



BOLT DETAIL

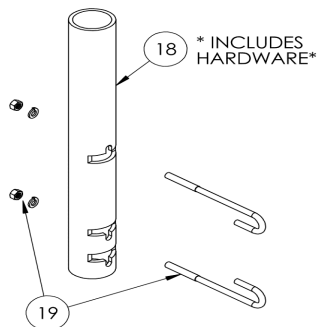
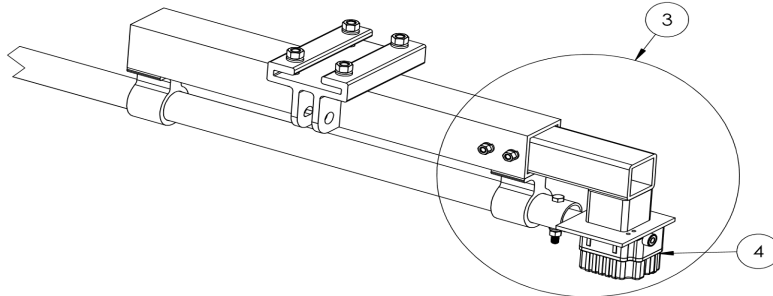


BOATHOUSE PULLEY EXTRUSION ASSEMBLY

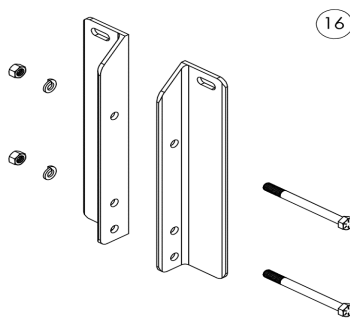


BOATHOUSE ANGLE ASSEMBLY

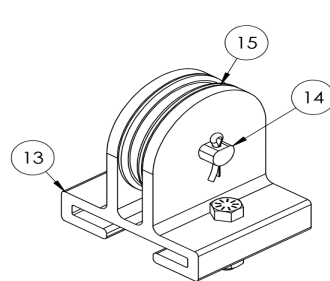
## BOAT HOUSE ROTARY LIMIT SWITCH KIT



GUIDE PIPE ASSEMBLY



BUNK BRACKET ASSEMBLY



PULLEY EXTRUSION ASSEMBLY

**Complete Lift**

N/A	BHL-7000-DL	7000 LB Boathouse Gear Drive Lift w/ Aluminum Bunks
-----	-------------	---

**Drive Unit**

1	C-1131	Tide Tamer 40/90 (300:1) Boathouse Lift Gearbox (Assem w/ Face Plate, Mounting HW & 1 A325 .50-20 X 3.25" Galv Drive Pipe Bolt w/ SS LW & Nut)
---	--------	--

**Motor & Wiring Harnesses**

2	C-1058	Tide Tamer 1 HP Stainless C-Face Motor w/ Mounting Hardware (3/8" x 1" SS Bolt, FW & LW) x 4
2	AB-0051	1 HP SS C-Face Motor w/ 10ft Wiring Harness, Maintain Switch, GFCI, 110V Plug & Hardware (3/8" x 1" SS Bolt, FW, & LW) x 4
N/A	C-1022	10ft Wiring Harness w/ Maintain Switch, GFCI w/ 110V Plug

**Electrical, Remotes & Limit Switches**

N/A	C-1029	TEC II Remote Control
N/A	C-1032	TEC II A/C Remote Control Unit Auto Stop (Limit Switch Sold Separately)
N/A	C-1036	TEC Remote Transmitter (Old Style - Square)
N/A	C-1064	TEC Remote Transmitter Tear Drop (New Style)
3	C-1139	BHL Rotary Limit Switch Kit w/ Rotary Limit Switch, Wire, Bracket & Hardware
4	C-1034	Rotary Limit Switch w/ Wire (30ft 18/3) & Hardware (3/8" x 3" SS Bolt, LW & Nut) & (8-32 x 3/4" SS PH Screw) x 2
N/A	C-1028	GFCI R.A. Compact 14/3 AWG Assembly
N/A	C-1026	SJT 12/5 Electric Motor Cable (PER FT, Min 10 FT)

**Upper Beam Assembly**

5	MH-2225	Boathouse Lift Drive Pipe (1-1/2" Galv Drive Pipe x 156" length)
6	PC-0020	A325 Drive Pipe Bolt 1/2"-13 x 3-1/4" Galv Bolt w/ Galv Lock Nut
7	PC-0028	Boathouse Upper Beam Angle Assembly (1 only LH & 1 only RH, 2ea. 1/2"--13 x 5.5" SS Hex Head Bolts & 2 ea. 1/2" SS FW,LW & Nuts)
8	MH-0341	7" Boathouse Pulley Extrusion
N/A	PC-0009	4" Aluminum Pulley, 3/4" x 2-3/8" D-Shaped Axle Shaft & Cotter Pin
9	PC-0017	3/4" x 2-3/8" Stainless D-Shaped Axle Shaft w/ Grease Fitting and Cotter Pin, For Pulley Extrusions
10	PC-0015	4" Aluminum Pulley (each), No Hardware
11	C-1136	1/4in X 90ft Stainless Steel Cable (7K Boathouse Lift)
N/A	C-1132	.25" SS U-Shaped Cable Clamps
N/A	C-1133	.25" SS Cable Thimble Eye
N/A	PT-0006	1/4" SS Cable Per FT

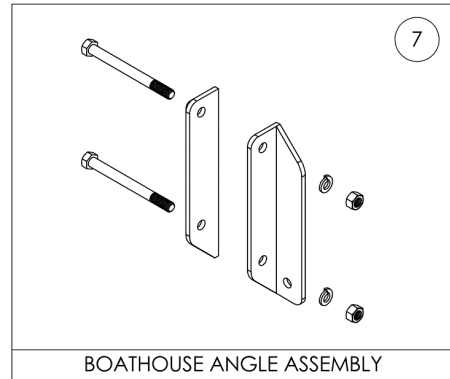
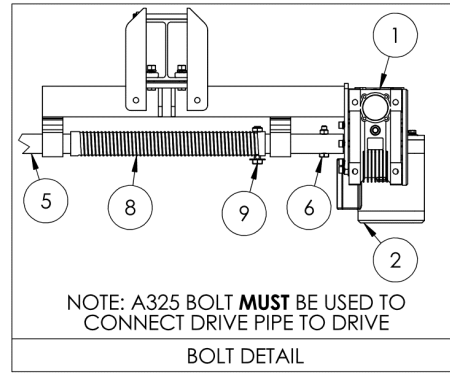
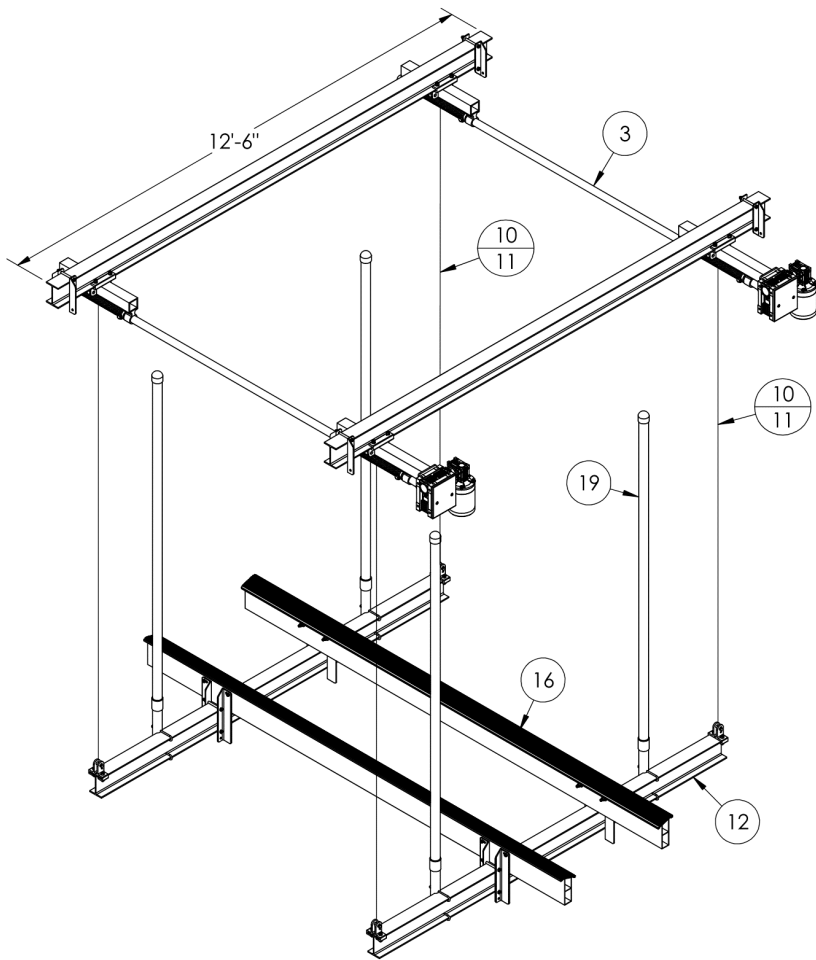
**Cradle**

12	B 7006-BHL	7,000 LB BHL Aluminum Cradle Kit w/ Alum Bunks (Pulleys, Bunks, Brackets, Guide Poles, Weights w/ all Hardware)
13	MH-0110	4" Boathouse Pulley Extrusion for 4" x 6" I-Beam (7K BHL)
N/A	PC-0009	4" Aluminum Pulley, 3/4" x 2-3/8" D-Shaped Axle Shaft & Cotter Pin
14	PC-0017	3/4" x 2-3/8" Stainless D-Shaped Axle Shaft w/ Grease Fitting and Cotter Pin, For Pulley Extrusions
15	PC-0015	4" Aluminum Pulley (each), No Hardware
16	PC-0001	Bunk Bracket 1,500 LB - 9,000 LB Lift (1 LH & RH Bracket) w/ Hardware (1/2" x 5-1/2" SS Bolt, LW, Nut) x 2
17	AC-1084	2.7" x 8" x 12ft Aluminum Cradle Bunk (each) w/ Vinyl Pad (Not Drilled, 3,000LB to 13,000LB)

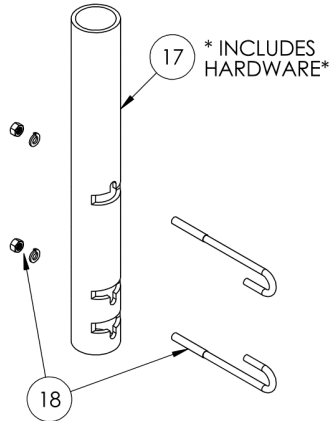
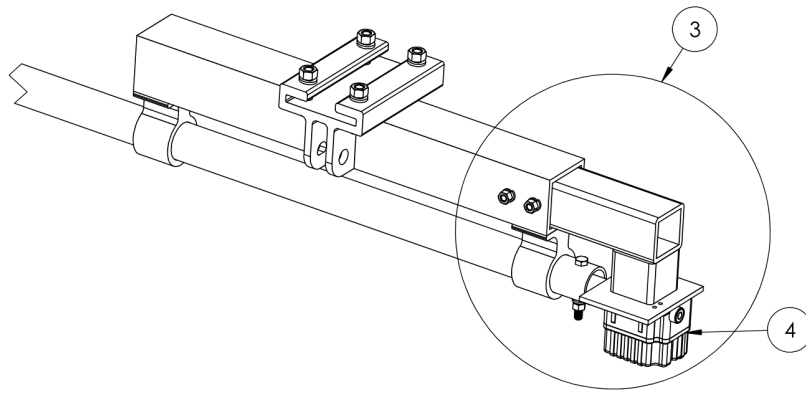
**Guide Post**

18	PS-0032	Guide Pipe For 1,500LB-9,000LB LIFT (each) w/Hardware (3/8"-16 x 6-7/8" SS J-Bolt, LW & Nut) x 2
19	PC-0018	Fastener Kit For Guide Pipe on 1,500 LB - 9,000 LB (1 pipe) (3/8" x 6-7/8" SS J-Bolt, LW & Nut) x 2
20	PC-0006	10ft PVC For 4 Piling Lift (each)
N/A	PC-0004	40" Guide Post Weight (each)

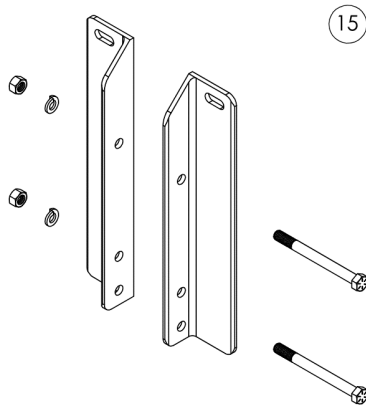
# 7,000 2 Motor Boat House Lift



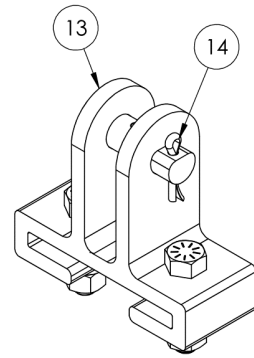
BOAT HOUSE ROTARY LIMIT SWITCH KIT



GUIDE PIPE ASSEMBLY



BUNK BRACKET ASSEMBLY



PULLEY EXTRUSION ASSEMBLY

**Complete Lift**

N/A	BHL2-7000-DD	7000 LB 2 Motor Boathouse Gear Drive Lift w/ Aluminum Bunks
-----	--------------	---

**Drive Unit**

1	C-1131	Tide Tamer 40/90 (300:1) Boathouse Lift Gearbox (Assem w/ Face Plate, Mounting HW & 1 A325 .50-20 X 3.25" Galv Drive Pipe Bolt w/ SS LW & Nut)
---	--------	--

**Motor & Wiring Harnesses**

2	C-1058	Tide Tamer 1 HP Stainless C-Face Motor w/ Mounting Hardware (3/8" x 1" SS Bolt, FW & LW) x 4
2	AB-0051	1 HP SS C-Face Motor w/ 10ft Wiring Harness, Maintain Switch, GFCI, 110V Plug & Hardware (3/8" x 1" SS Bolt, FW, & LW) x 4
2	AB-0052	1 HP SS C-Face Motor w/ 50ft Wiring Harness, Maintain Switch, GFCI, 110V Plug & Hardware (3/8" x 1" SS Bolt, FW, & LW) x 4
N/A	C-1022	10ft Wiring Harness w/ Maintain Switch, GFCI w/ 110V Plug
N/A	C-1023	50ft Wiring Harness w/ Maintain Switch, GFCI w/ 110V Plug

**Electrical, Remotes & Limit Switches**

N/A	C-1029	TEC II Remote Control
N/A	C-1032	TEC II A/C Remote Control Unit Auto Stop (Limit Switch Sold Separately)
N/A	C-1036	TEC Remote Transmitter (Old Style - Square)
N/A	C-1064	TEC Remote Transmitter Tear Drop (New Style)
3	C-1139	BHL Rotary Limit Switch Kit w/ Rotary Limit Switch, Wire, Bracket & Hardware
4	C-1034	Rotary Limit Switch w/ Wire (30ft 18/3) & Hardware (3/8" x 3" SS Bolt, LW & Nut) & (8-32 x 3/4" SS PH Screw) x 2
N/A	C-1028	GFCI R.A. Compact 14/3 AWG Assembly
N/A	C-1026	SJT 12/5 Electric Motor Cable (PER FT, Min 10 FT)

**Upper Beam Assembly**

5	MH-2225	Boathouse Lift Drive Pipe (1-1/2" Galv Drive Pipe x 156" length)
6	PC-0020	A325 Drive Pipe Bolt 1/2"-13 x 3-1/4" Galv Bolt w/ Galv Lock Nut
7	PC-0028	Boathouse Upper Beam Angle Assem(1 only LH & 1 only RH,2ea. 1/2"-13x5.5" SS Hex Head Bolts,2 ea.1/2" SS FW,LW & Nuts)
8	PT-0014	19in Aluminum Cable Winder (Right Hand)
9	CS-0020	5/8" x 3-1/4" SS Cable Bolt (each) w/ Nylon Nut
10	PT-0022	5/16" x 19-3/4ft SS Cable w/ Hardeye (bow cable)
11	PT-0023	5/16" x 20ft SS Cable w/ Hardeye (stern cable)
N/A	PT-0007	5/16" SS Cable Per FT

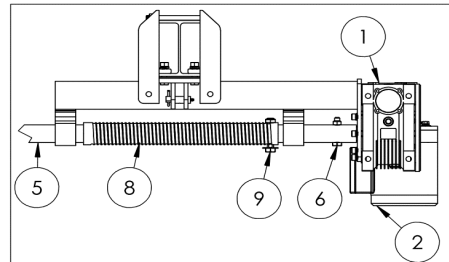
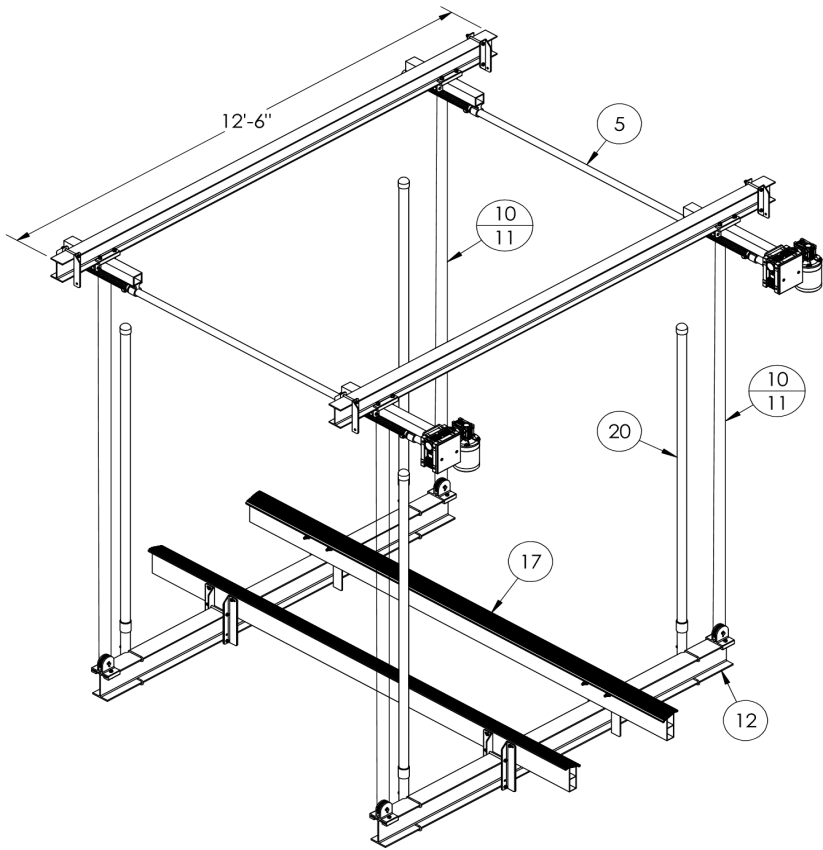
**Cradle**

12	B 5006	5,000 LB Aluminum Cradle Kit w/ Alum Bunks (also used on the 7K 2 Motor BHL) w/Pulley Extrusion, Bunks, Brackets, Guide Poles, Weights & all HW
13	PC-0010	Pulley Extrusion (5K - 7K) w/ Hardware (1/2" x 2" SS Bolt, LW & Nut) x 2 (No Axle Shaft or Cotter Pin)
14	PC-0017	3/4" x 2-3/8" Stainless D-Shaped Axle Shaft w/ Grease Fitting and Cotter Pin, For Pulley Extrusions
15	PC-0001	Bunk Bracket 1,500 LB - 9,000 LB Lift (1 LH & RH Bracket) w/ Hardware (1/2" x 5-1/2" SS Bolt, LW, Nut) x 2
16	AC-1084	2.7" x 8" x 12ft Aluminum Cradle Bunk (each) w/ Vinyl Pad (Not Drilled, 3,000LB to 13,000LB)

**Guide Post**

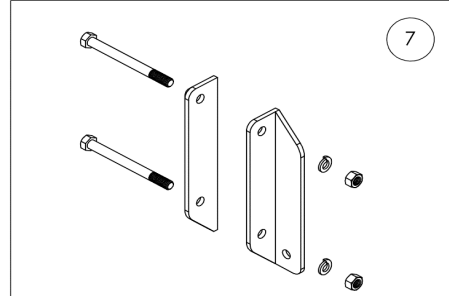
17	PS-0032	Guide Pipe For 1,500LB-9,000LB LIFT (each) w/Hardware (3/8"-16 x 6-7/8" SS J-Bolt, LW & Nut) x 2
18	PC-0018	Fastener Kit For Guide Pipe on 1,500 LB - 9,000 LB (1 pipe) (3/8" x 6-7/8" SS J-Bolt, LW & Nut) x 2
19	PC-0006	10ft PVC For 4 Piling Lift (each)
N/A	PC-0004	40" Guide Post Weight (each)

# 10,000 2 Motor Boat House Lift



NOTE: A325 BOLT **MUST** BE USED TO  
CONNECT DRIVE PIPE TO DRIVE

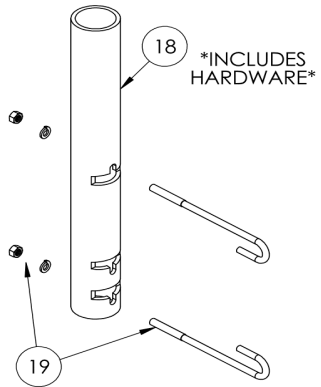
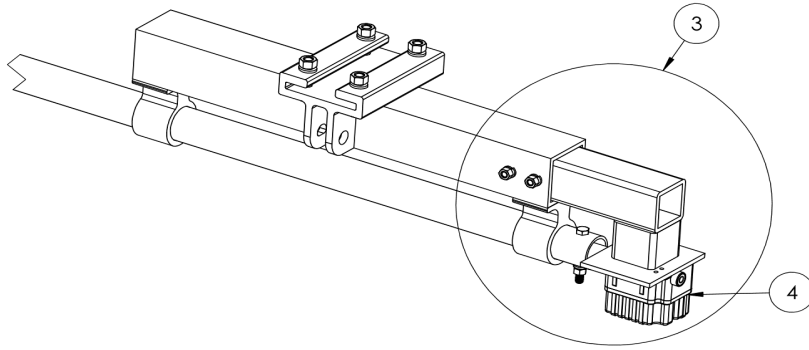
BOLT DETAIL



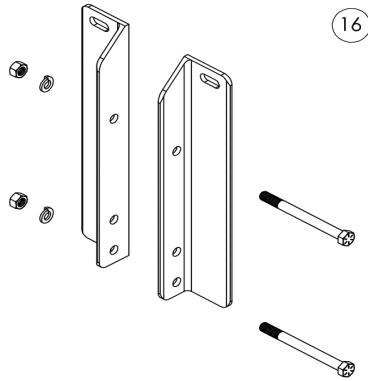
BOATHOUSE ANGLE ASSEMBLY

# 10,000 2 Motor Boat House Lift

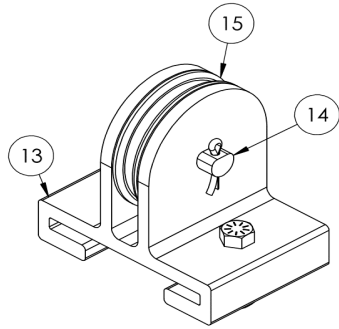
## BOAT HOUSE ROTARY LIMIT SWITCH KIT



GUIDE PIPE ASSEMBLY



BUNK BRACKET ASSEMBLY



PULLEY EXTRUSION ASSEMBLY

**Complete Lift**

N/A	BHL-1000DD	10000 LB 2 Motor Boathouse Gear Drive Lift w/ Aluminum Bunks
-----	------------	--

**Drive Unit**

1	C-1131	Tide Tamer 40/90 (300:1) Boathouse Lift Gearbox (Assem w/ Face Plate, Mounting HW & 1 A325 .50-20 X 3.25" Galv Drive Pipe Bolt w/ SS LW & Nut)
---	--------	--

**Motor & Wiring Harnesses**

2	C-1058	Tide Tamer 1 HP Stainless C-Face Motor w/ Mounting Hardware (3/8" x 1" SS Bolt, FW & LW) x 4
2	AB-0051	1 HP SS C-Face Motor w/ 10' Wiring Harness, Maintain Switch, GFCI, 110V Plug & Hardware (3/8" x 1" SS Bolt, FW, & LW) x 4
2	AB-0052	1 HP SS C-Face Motor w/ 50' Wiring Harness, Maintain Switch, GFCI, 110V Plug & Hardware (3/8" x 1" SS Bolt, FW, & LW) x 4
N/A	C-1022	10ft Wiring Harness w/ Maintain Switch, GFCI w/ 110V Plug
N/A	C-1023	50ft Wiring Harness w/ Maintain Switch, GFCI w/ 110V Plug

**Electrical, Remotes & Limit Switches**

N/A	C-1029	TEC II Remote Control
N/A	C-1032	TEC II A/C Remote Control Unit Auto Stop (Limit Switch Sold Separately)
N/A	C-1036	TEC Remote Transmitter (Old Style - Square)
N/A	C-1064	TEC Remote Transmitter Tear Drop (New Style)
3	C-1139	BHL Rotary Limit Switch Kit w/ Rotary Limit Switch, Wire, Bracket & Hardware
4	C-1034	Rotary Limit Switch w/ Wire (30ft 18/3) & Hardware (3/8" x 3" SS Bolt, LW & Nut) & (8-32 x 3/4" SS PH Screw) x 2
N/A	C-1028	GFCI R.A. Compact 14/3 AWG Assembly
N/A	C-1026	SJT 12/5 Electric Motor Cable (PER FT, Min 10 FT)

**Upper Beam Assembly**

5	MH-2225	Boathouse Lift Drive Pipe (1-1/2" Galv Drive Pipe x 156" length)
6	PC-0020	A325 Drive Pipe Bolt 1/2"-13 x 3-1/4" Galv Bolt w/ Galv Lock Nut
7	PC-0028	Boathouse Upper Beam Angle Assembly (1 only LH & 1 only RH, 2ea. 1/2"--13 x 5.5" SS Hex Head Bolts & 2 ea. 1/2" SS FW,LW & Nuts)
8	PT-0014	19in Aluminum Cable Winder (Right Hand)
9	CS-0020	5/8" x 3-1/4" SS Cable Bolt (each) w/ Nylon Nut
10	PT-0025	5/16" x 35ft SS Cable w/ Hardeye (stern cable)
11	PT-0024	5/16" x 34-1/2ft SS Cable w/ Hardeye (bow cable)
N/A	PT-0007	5/16" SS Cable Per FT

**Cradle**

12	B 10007-BHL	10,000 LB Dual Motor BHL Aluminum Cradle Kit w/ Alum Bunks (Pulleys, Bunks, Brackets, Guide Poles, Weights & all Hardware)
13	PC-0011	Pulley Extrusion (10K - 13K) w/ Hardware (1/2" x 2" SS Bolt, LW & Nut) x 2 (No Roller, Axle Shaft or Cotter Pin)
N/A	PC-0009	4" Aluminum Pulley, 3/4" x 2-3/8" D-Shaped Axle Shaft & Cotter Pin
14	PC-0017	3/4" x 2-3/8" Stainless D-Shaped Axle Shaft w/ Grease Fitting and Cotter Pin, For Pulley Extrusions
15	PC-0015	4" Aluminum Pulley (each), No Hardware
16	PS-0014	Bunk Bracket 10,000LB - 13,000LB Lift (1 LH & RH Bracket) w/ Hardware (1/2" x 7" SS Bolt, LW, Nut) x 2
17	AC-1084	2.7" x 8" x 12ft Aluminum Cradle Bunk (each) w/ Vinyl Pad (Not Drilled, 3,000LB to 13,000LB)

**Guide Post**

18	PS-0017	Guide Pipe For 10,000LB-13,000LB LIFT (each) w/ Hardware (3/8"-16 x 7-7/8" SS J-Bolt, LW & Nut) x 2
19	PC-0016	Fastener Kit For Guide Pipe on 10k - 13k (1 pipe) (3/8" x 7-7/8" SS J-Bolt, LW & Nut) x 2
20	PC-0006	10ft PVC For 4 Piling Lift (each)
N/A	PC-0004	40" Guide Post Weight (each)