

FIGURE (A) STRAIGHT LADDER

FIGURE (B) SWING LADDER

ASSEMBLY INSTRUCTIONS:

FIGURE A/B: Insert Rails (A) into Ladder (B)

✘ Do not turn the rails when inserting, they should slide straight and freely

FIGURE A/B: Line-up the drilled holes in Rails (A) to Ladder (B).

FIGURE A/B: Insert supplied bolts (C) so that the heads of the bolts are on the “water Side” of the ladder (B)

FIGURE A/B: Attach Nuts (D) and Tighten.

FIGURE A/B: Install assembled ladder using 1/2” stainless steel or hot dipped galvanized bolts or screws appropriate to the application (not supplied).

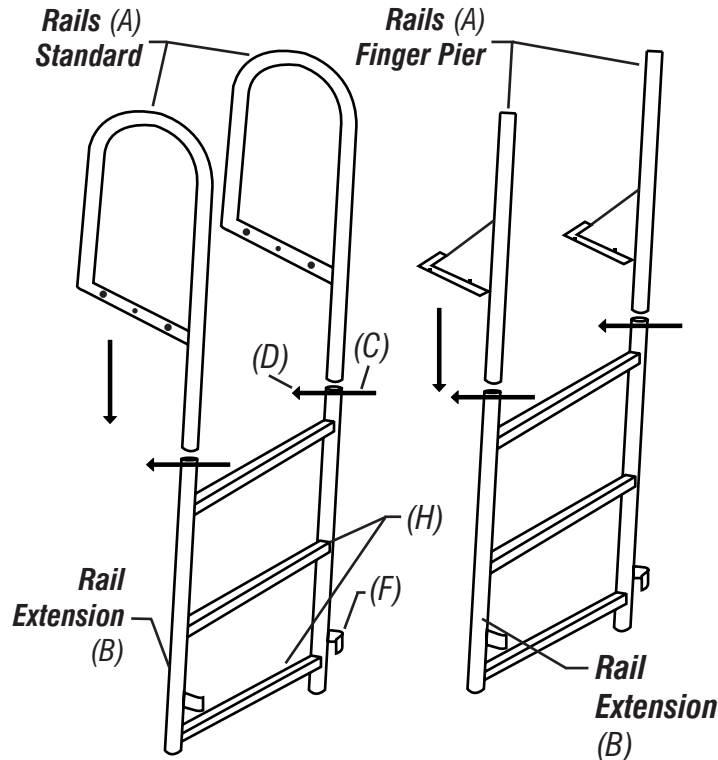


FIGURE (1)

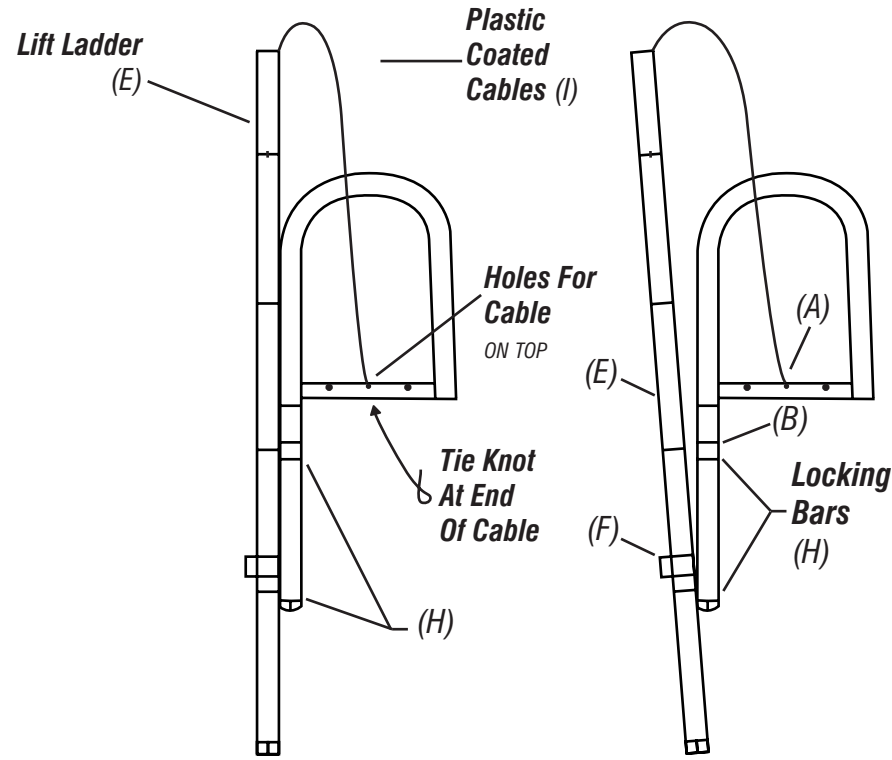


FIGURE (2)

FIGURE (3)

ASSEMBLY INSTRUCTIONS:

FIGURE 1: Insert rails (A) into Rail Extension (B). Insert supplied bolts (C) with the bolt head on the front of the ladder, as shown.

Attach Nuts (D) and tighten.

FIGURE 2: Be sure that the Plastic Coated Cables (I) are around the outside of the Rails (A) and insert Plastic Coated Cable (I) into holes (A) until they come out of the bottom. Tie a knot at the end of cables (I) and pull them back until they stop. Install assembled ladder using 1/2" stainless steel or hot dipped galvanized bolts or screws with flat washers appropriate to the application (not supplied).

INSTRUCTIONS FOR USE:

FIGURE 3: Hold cables (I) and lift upward slightly in order to release Lift Ladder (E) from the Locking bars (H). Keep the Lift Ladder (E) parallel to the Rail Assembly (AB). Lean Lift Ladder (E) out and the lower or raise to desired height. At desired Height, lean Lift Ladder (E) in lower it until it locks into place.