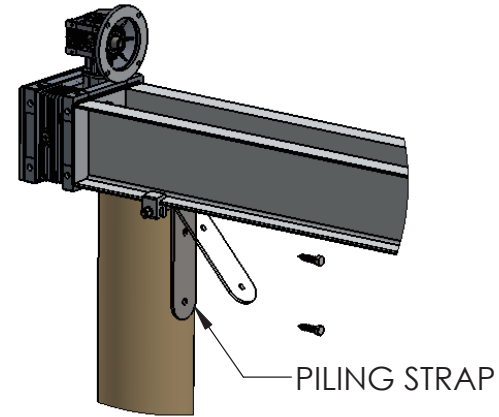
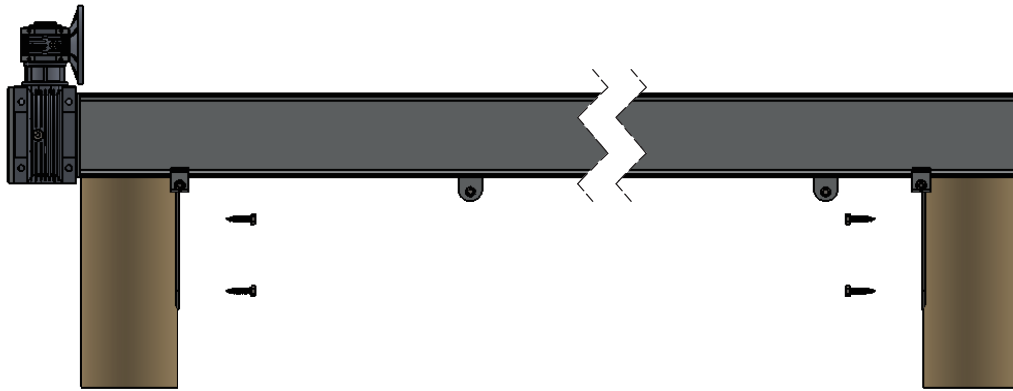
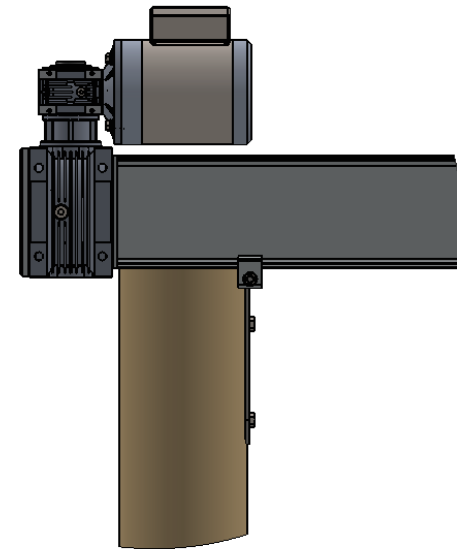
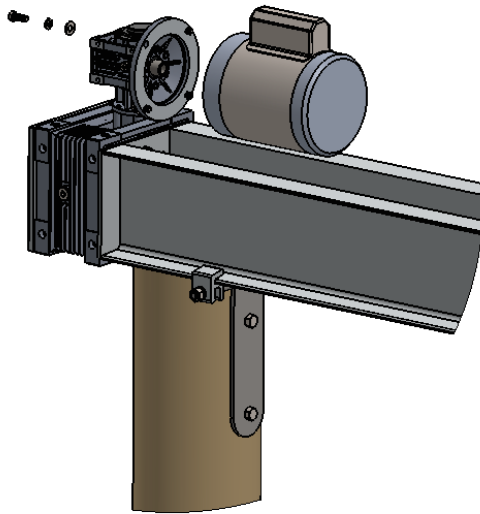


**STEP 1:
TOP BEAM INSTALLATION**



PLACE THE TOP BEAMS ON TOP OF THE PILINGS. BOLT THE PILING STRAP TO THE PILING WITH THE 1/2" LAG BOLTS IN TIDE TAMER PKG. #8

**STEP 2:
MOTOR INSTALLATION**



BOLT THE MOTOR ON THE TOP BEAMS WITH THE 3/8" HARDWARE FROM TIDE TAMER PKG. #12

NOTE: ORIENT THE DRAIN HOLES SO THEY ARE FACING DOWN AND REMOVE THE TEMPORARY PLUGS THAT ARE IN THE HOLES



PH: 800-325-1116
FAX: 252-747-4377
TIDETAMER.COM
P.O. BOX 1118
SNOW HILL, NC 28580

TITLE:
**4 POLE LIFT INSTALL
INSTRUCTIONS**

SHEET 1 OF 4

STEP 3: LIFTING CABLE ROUTING

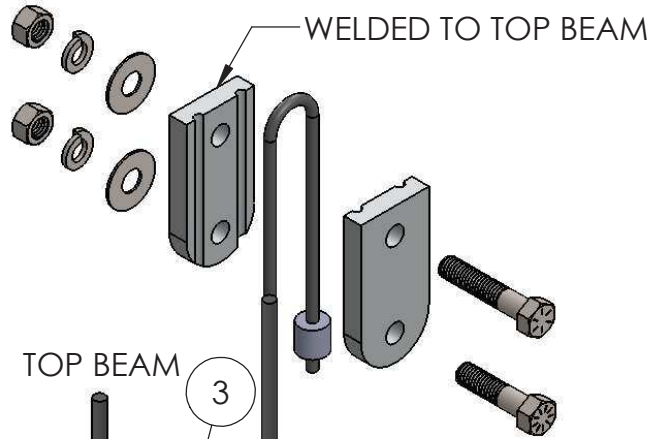
5K-7K

10K-16K

20K-24K

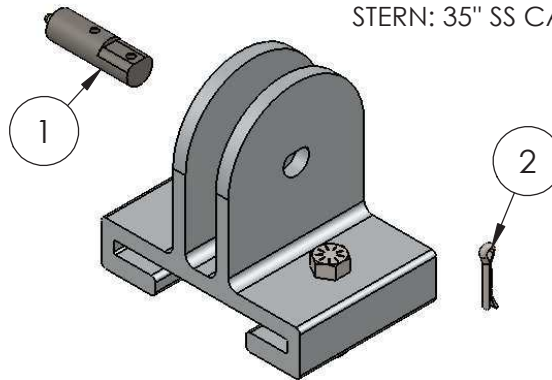
BOW: 19'-9" SS CABLE W/ HARDEYE
STERN: 20' SS CABLE W/ HARDEYE

TOP BEAM



TOP BEAM

BOW: 34'-6" SS CABLE FUSE CUT
STERN: 35" SS CABLE FUSE CUT



WELDED TO TOP BEAM

BOW: 44'-3" SS CABLE W/ HARDEYE
STERN: 45" SS CABLE W/ HARDEYE

TOP BEAM



PARTS BREAKDOWN

1	2-3/8" AXLE PIN W/ GREASE FITTING
2	3/16" X 1.25" COTTER PIN
3	NYLON PULLEY
4	ALUMINUM PULLEY



PH: 800-325-1116
FAX: 252-747-4377
TIDETAMER.COM
P.O. BOX 1118
SNOW HILL, NC 28580

TITLE:
**4 POLE LIFT INSTALL
INSTRUCTIONS**

SHEET 3 OF 4

5

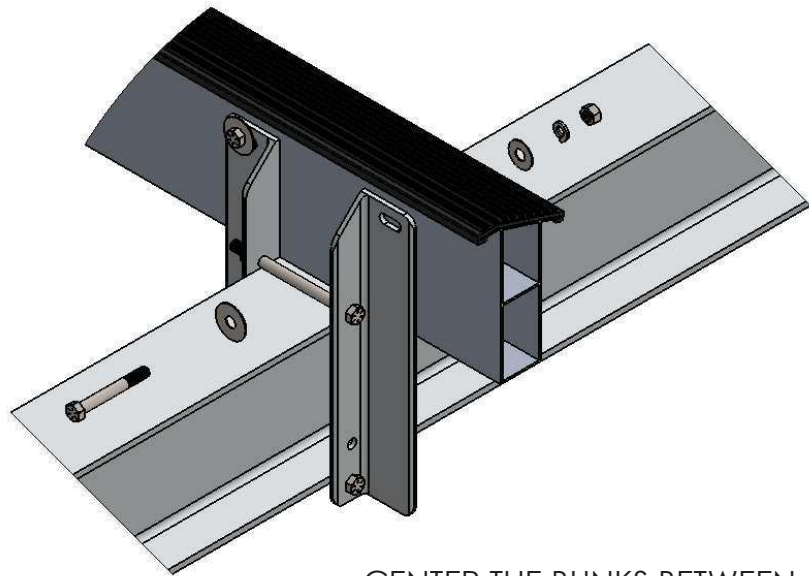
4

3

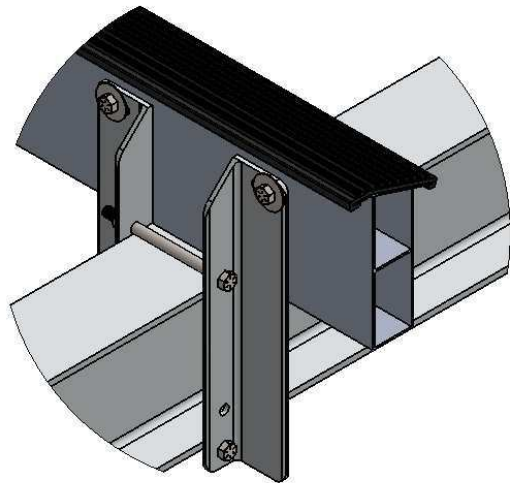
2

1

**STEP 4:
BUNK INSTALL**

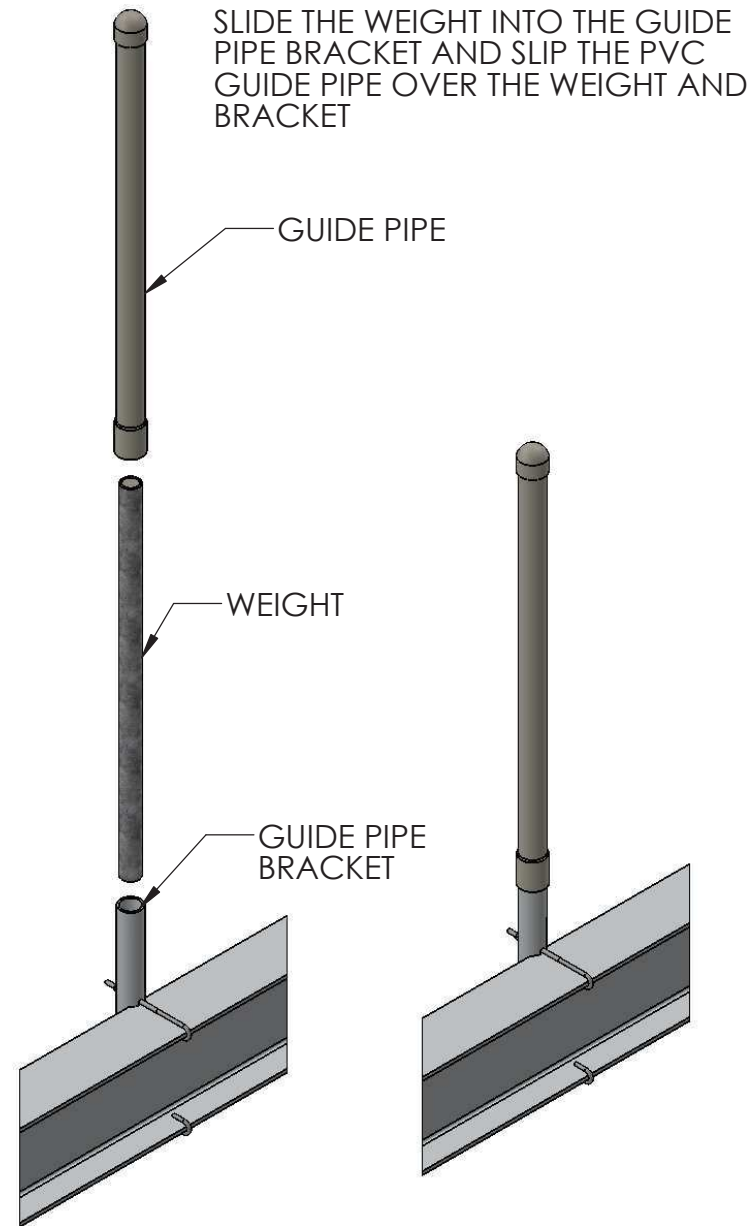


CENTER THE BUNKS BETWEEN THE CRADLE CRADLES AND ATTACH TO THE BUNK BRACKETS WITH THE ALUMINUM BUNK HARDWARE BOX



**STEP 5:
ASSEMBLE GUIDE PIPE**

SLIDE THE WEIGHT INTO THE GUIDE PIPE BRACKET AND SLIP THE PVC GUIDE PIPE OVER THE WEIGHT AND BRACKET



PH: 800-325-1116
FAX: 252-747-4377
TIDETAMER.COM
P.O. BOX 1118
SNOW HILL, NC 28580

TITLE:
**4 POLE LIFT INSTALL
INSTRUCTIONS** SHEET 4 OF 4