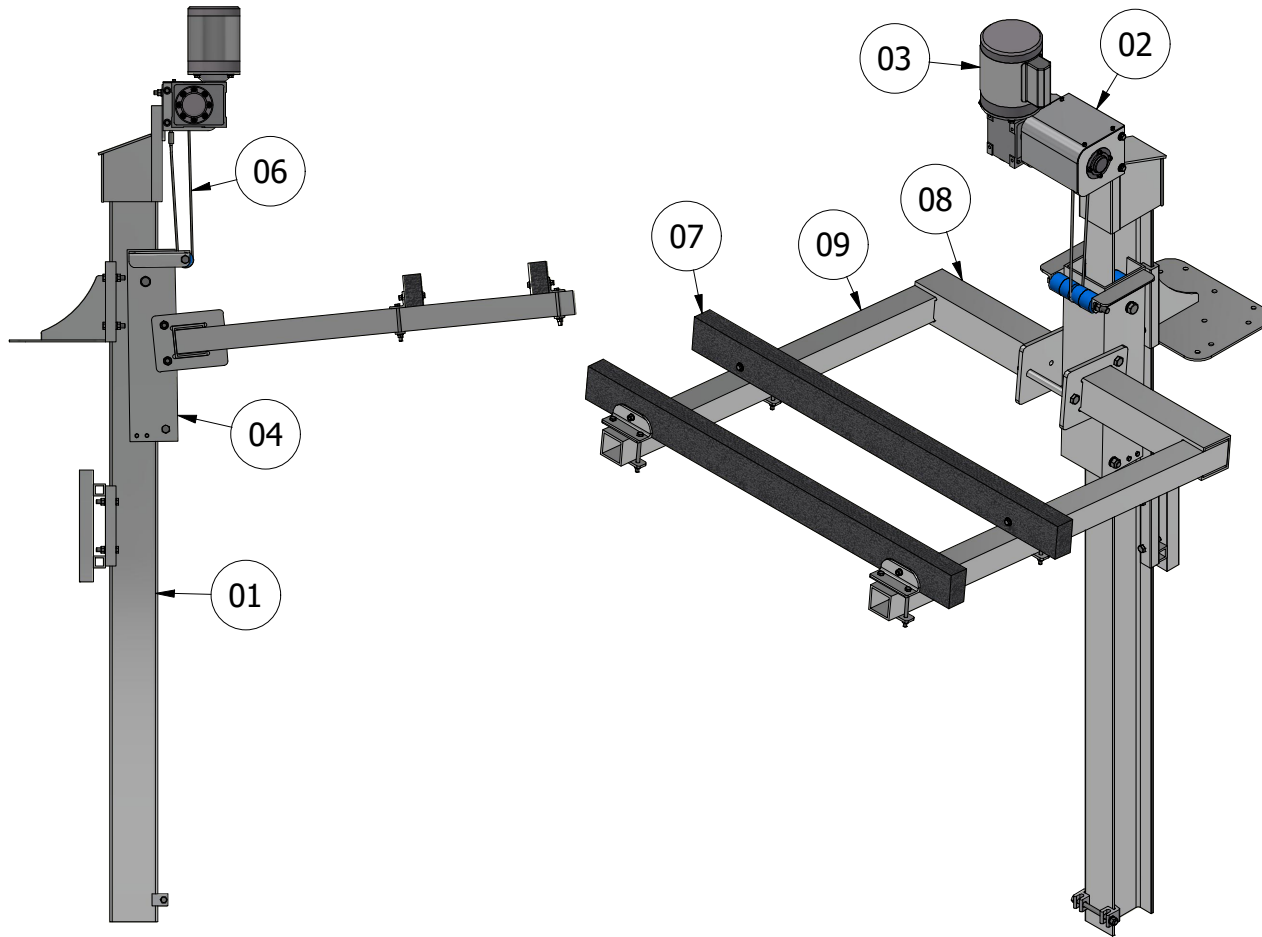


DIRECT DRIVE DOCK MOUNT SHOWN



MOUNTING OPTIONS (05)	
DOCK MOUNT	PILE MOUNT

	01	02	03	04	05	06	07	08	09		
CAPACITY	MAST	DRIVE	MOTOR	HOUSING ASSEMBLY	MOUNTING BRACKET	LIFTING CABLE	BUNKS	CRADLE TUBES	ARM TUBES	OVERALL ARM WIDTH	ARM LENGTH
1200 LBS.	.19/.29 X 4" X 6" ALUMINUM IBEAM 8FT, 10FT OR, 13FT LONG	MANUAL WINCH, DIRECT DRIVE OR, BELT DRIVE	1 H.P. 56 FRAME (DIRECT) .75 HP. 48 FRAME (BELT DRIVE)	1/4" X 6" SQ. TUBE	SEE MOUNTING OPTIONS	1/4" X 18FT SS DOUBLE PULL OR 1/4" X 26FT SS DOUBLE PULL	2" X 4" X 53" CARPETED TREATED WOOD	1/4" X 4" SQ. TUBE	1/4" X 3" SQ. TUBE	42.5"	55"

UNLESS OTHERWISE SPECIFIED: DIMENSIONS ARE IN INCHES TOLERANCES: .X = ± .1 FRACTIONAL = ± .1 .XX = ± .01 ANGULAR = ± 1 .XXX = ± .005 .XXXX = ± .0005 DO NOT SCALE DRAWING		NAME	DATE	TITLE: <b>TIDE TAMER</b>  <b>MINIMAXX SPEC SHEET</b>			
<b>PROPRIETARY AND CONFIDENTIAL</b>		DRAWN	ACC			4/20/2022	
THE INFORMATION CONTAINED IN THIS DRAWING IS THE SOLE PROPERTY OF TIDE TAMER WATERFRONT PRODUCTS. ANY REPRODUCTION IN PART OR AS A WHOLE WITHOUT THE WRITTEN PERMISSION OF TIDE TAMER WATERFRONT PRODUCTS IS PROHIBITED.		DWG. REV.	-				
		CHECKED					
		ENG. APPR.			SIZE	PART NO.	MODEL REV.
		COMMENTS:			<b>A</b>	<b>MINIMAXX</b>	
					MATERIAL		SHEET 1 OF 1